

# VIMEK® 870.2



**VIMEKS largest and most powerful forwarder. Our aim is to offer efficient and sympathetic machines for thinning and forest management, and our goal is to be a world-leading supplier of forest machines in the compact class.**



## **Working environment**

Must a small machine have a less comfortable working environment? We don't think so. Try our new spacious cab that offers excellent visibility, good air flow and low noise level.

## **Driving pleasure**

It should be fun to drive. A flexible machine that feels capable and has a modern interface is one of the keys to achieving this. Another is that high-quality work can be carried out to give the stock the best conditions to develop.

## **Online**

The machine is connected, which gives you access to smart and convenient functions. In the event of no internet connection, the information is sent when connectivity is available.

## **Climate impact**

As long as we need to use diesel in forest machines, we make sure that we consume as little as possible. An optimized design means that the machine can tackle

terrain with ease and has a low power-loss system. Smart control programs help achieve durable and fast work despite a relatively small 55Kw engine. HVO can also be used of course.

## **Agility**

Perhaps the market's most agile forwarder. A compact design and unique steering make getting around easy.

## **Productivity**

Vimek Next Generation forwarders are built to maintain high production. Smart functions that makes work more efficient and allow you to adjust the machine to your wishes.

## **Sympathy**

Refers to total weight and ground pressure. But also a good transmission and agility to prevent damaging the ground. Vimek Next Generation is built for minimal ground impact.

# VIMEK® 870.2



## Technical data

**Chassis:** 8WD with DSS (Dual steering) boggie + frame steering

**Engine:** CAT C2,2T CRDI 55 kW

**Transmission:** Hydrostatic / mechanical

**Transmission pump / motor:** Bosch rexroth with driving program

**Dimensions:** Ground clearance: 47 cm (38 cm under boggie box)

**Length:** Standard 7.6 m (load length 3.30 m, load area 2.65 m<sup>2</sup>)

Long 8.3 m (load length 4.00 m, load area 2.65 m<sup>2</sup>)

**Width:** 2.2 m (500/45-22.5" wheels) or

2.3 m (550/45-22.5" wheels)

**Weight:** 7 Tons

**Load capacity:** 7 Tons

### Crane options:

Vimek-Cranab FC4ET 6.7m (Std)

Vimek-Cranab FC5 8.3m

Cranab FC45 8.1m (Not available with ICC)

### Grapple:

Cranab CR19 (std)

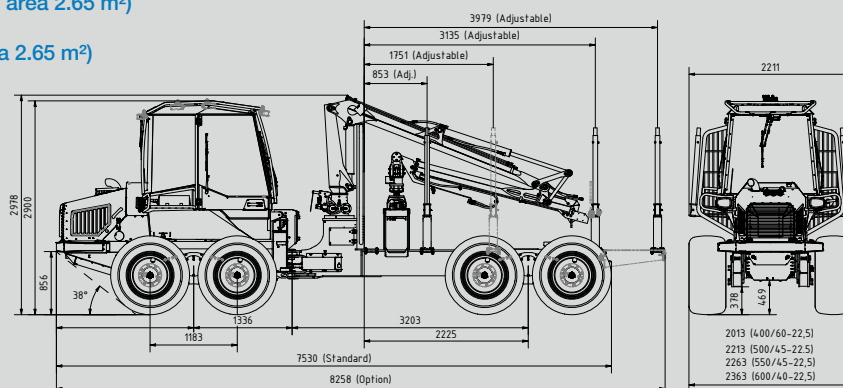
HSP 015

Vimek tiltgrapple

### Control system / Crane steering:

Vimek connect / My Vimek app

ICC Intelligent Crane Control



The machines displayed may be extra equipped